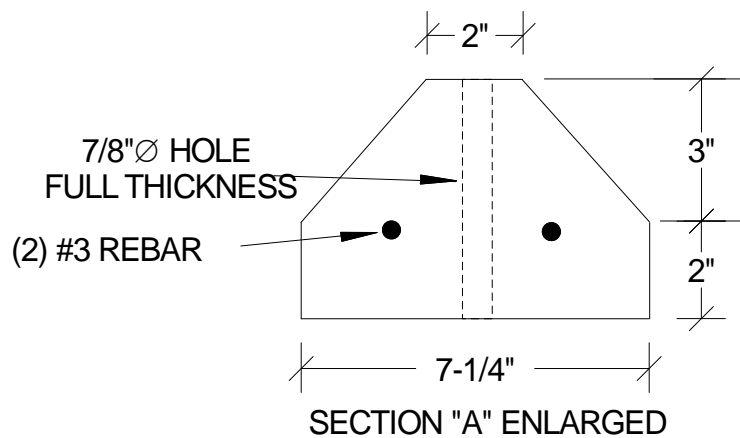
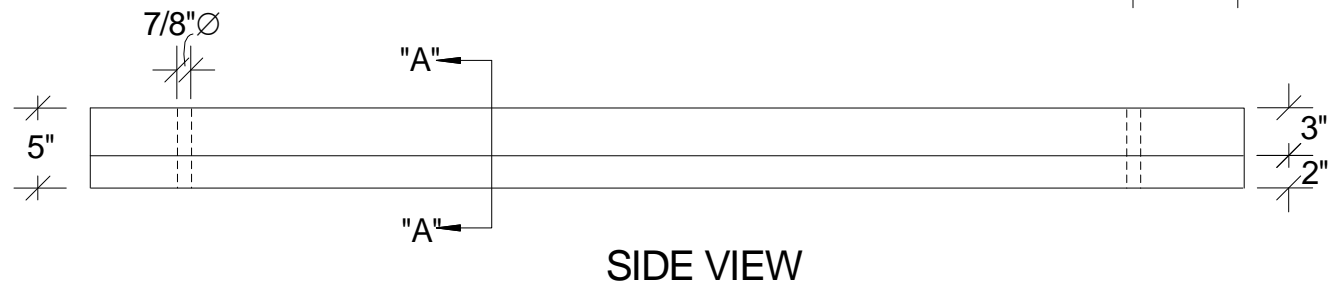
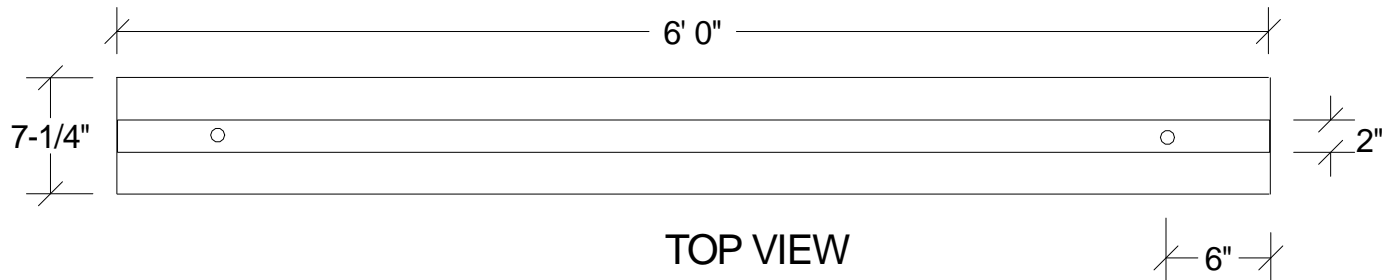


# COMMERCIAL CONCRETE PRODUCTS, INC.

2705 SAMMONDS ROAD PLANT CITY, FLORIDA 33563-4556  
TEL: (813)659-3707 FAX: (813)659-3515



## DOUBLE SIDED WHEELSTOP

5000 PSI GRAY CONCRETE  
NTS