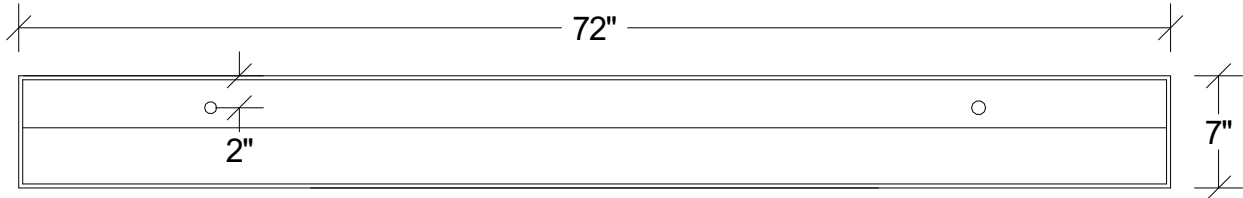


# COMMERCIAL CONCRETE PRODUCTS, INC.

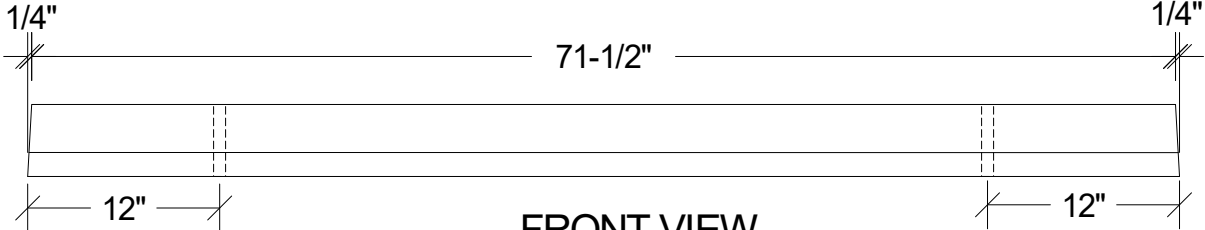
2705 SAMMONDS ROAD PLANT CITY, FLORIDA 33563-4556

TEL: (813)659-3707 FAX: (813)659-3515

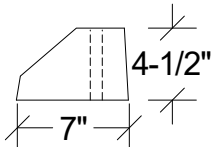
## 6' SINGLE SIDED WHEELSTOP



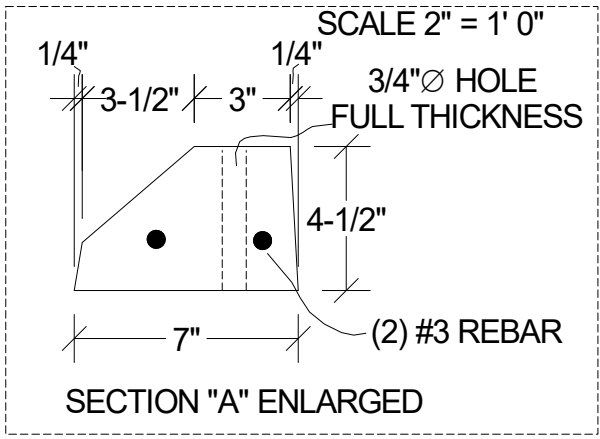
PLAN VIEW



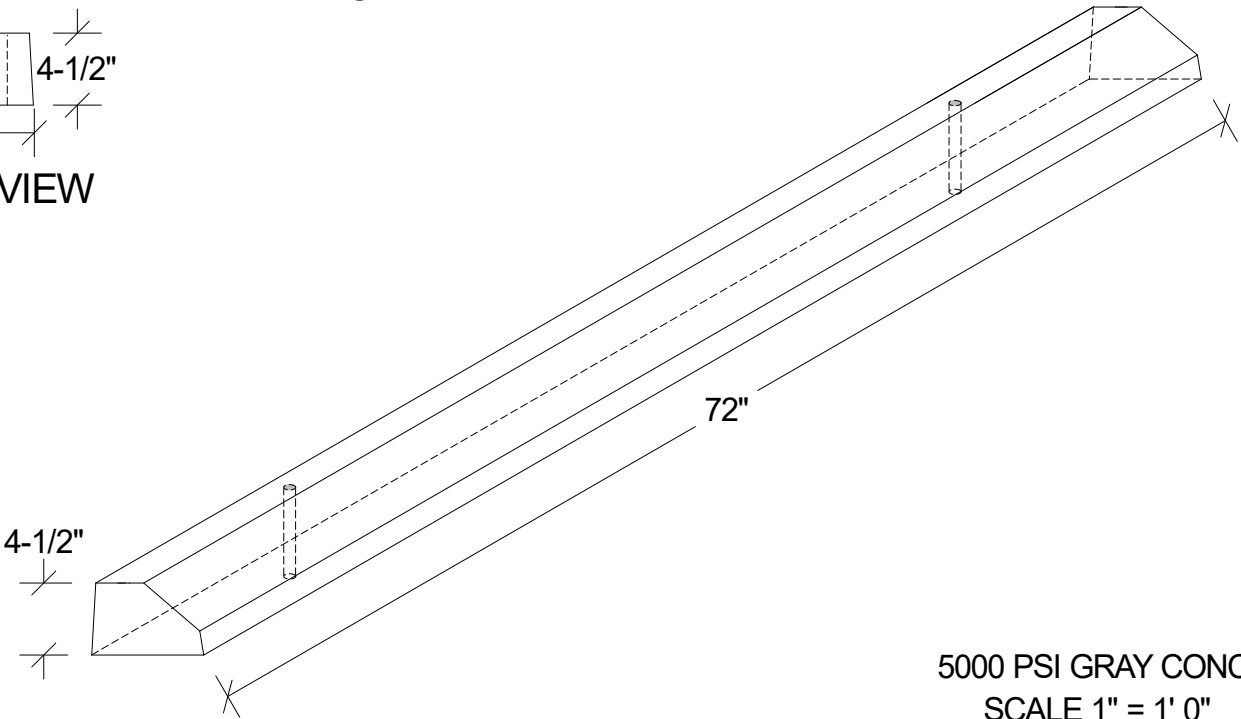
FRONT VIEW



END VIEW



SECTION "A" ENLARGED



5000 PSI GRAY CONCRETE  
SCALE 1" = 1' 0"